



HEBEI CROWN WEALTH TRADING CO.,LTD



ADD: B1108 Huigu Building, No.95 Qilian Road, Shijiazhuang, Hebei, China

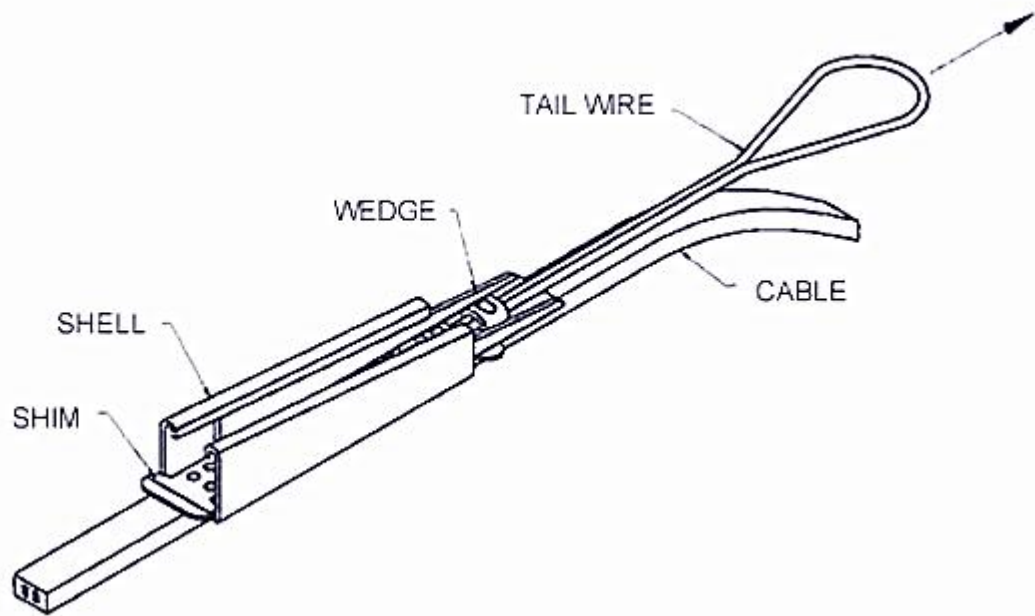
TEL: 0086-18931844996

MAIL: info@hbcrownwealth.com

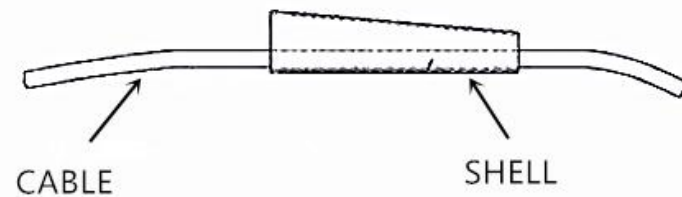
WEB: www.hardwaremanufactory.com

Drop wire clamp

1 -2 PAIR & 6 PAIR DROP WIRE CLAMP



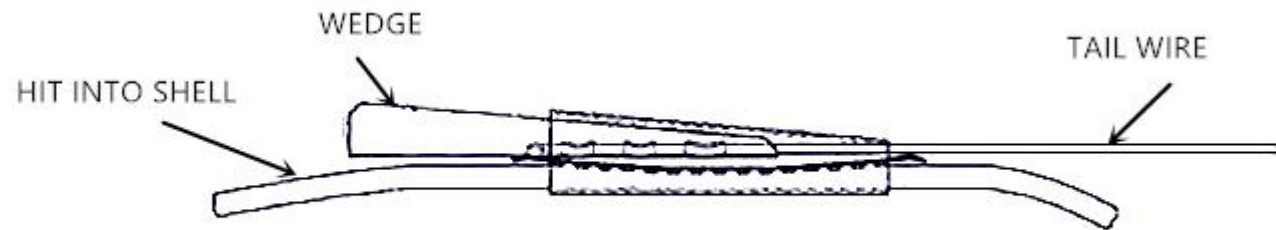
①



②



③



Parts No.	Drop Cable	Material	Shim Type
CWC-2PRAD	1-2 Pair	Aluminium	Dimpled
CWC-2PRSD		Stainless	



Parts No.	Drop Cable	Material	Shim Type
CWC-2PRAS	1-2 Pair	Aluminium	Serrated
CWC-2PRSS		Stainless	



Parts No.	Drop Cable	Material	Shim Type
CWC-2PRAD	1-2 Pair	Aluminium	Plastic
CWC-2PRSD		Stainless	



Parts No.	Drop Cable	Material	Shim Type
CWC-6PRAD	6 Pair	Aluminium	Dimpled
CWC-6PRSD		Stainless	Dimpled
CWC-2PRSS		Stainless	Serrated



Parts No.	Material	Cable Type
CWC-SR	Stainless	Round



Parts No.	Material	Cable Type
CWC-CATYS	Steel	Floro-carbon





Drop wire clamp has two type of shim ,metallic and plastic shim



Wire drop clamp is widely used in fixing communication wires .



Round stainless steel wire clamp is widely used for suspension of cables .



Stainless steel drop wire clamps can be wrapped with plastic bags with cartons .



Drop wire clamps are produced by stamping process.



Wire clamps are widely used to support communication wires at span clamps , drive hooks and various drop attachments .

ECONOMIC CATV DROP WIRE CLAMP

Parts No.	Material	Approx Wt. each
CWC-MDCA	Aluminium	0.05lb

Feature:

- 1. Good heat resistant performance.
- 2. High strength.
- 3. Durable, maintenance-free
- 4. Good quality ,competitive price

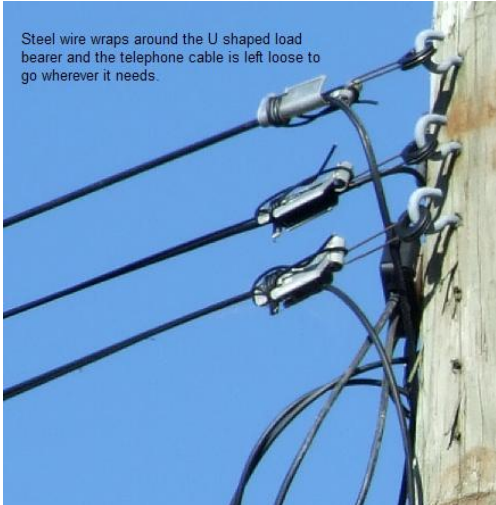
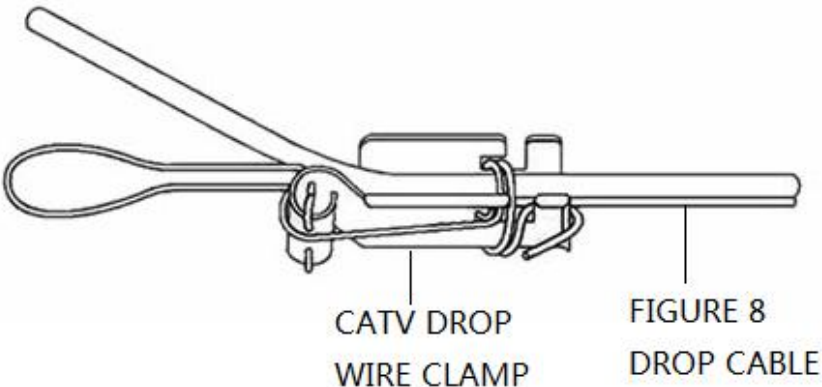


Application:

Used to support telephone drop wires at span clamps, drive hooks and various drop attachments.

Packing:

Inside plastic bags, outside cartons. Our products can be packed according to your specific requirement.



WEDGE CLAMP

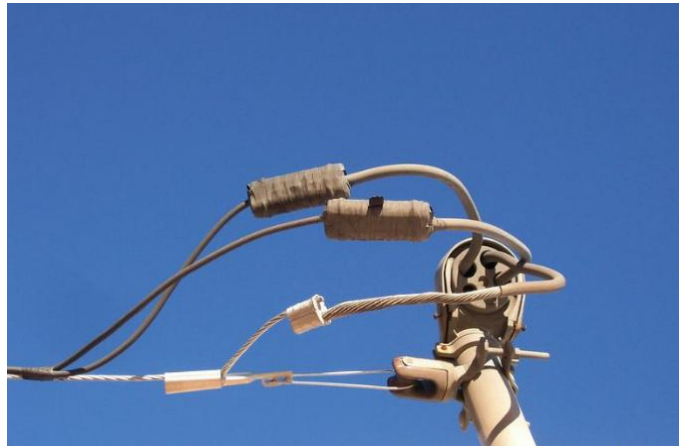
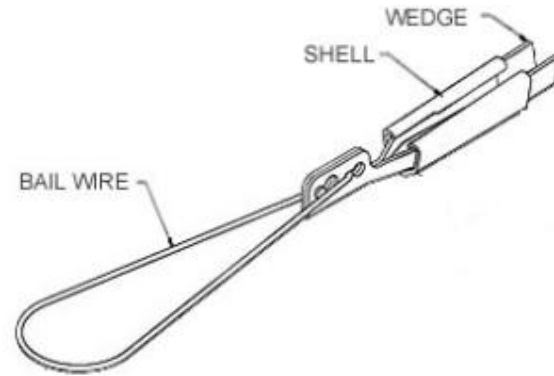
Parts No.	Material	Bail Wire Material
CWC-SW	Aluminium	Stainless Steel

Feature:

1. Corrosion resistant
2. Wear-resisting
3. High strength
4. Good toughness
5. Smooth surface
6. Easy and quick to install
7. Loop wire can be cut into exact length.

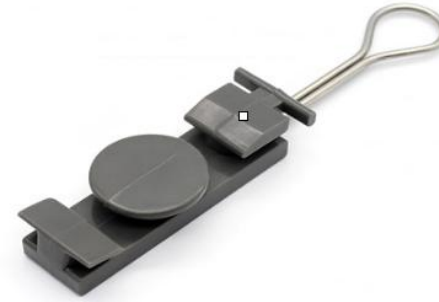
Application :

1. Used for low-tension dead-ending of ACSR ,AAAC,and Aluminum Conductors.
2. Used to fasten cables on a mounting device or building structure.
3. Used to reduce the strain of sagging overhead cables.
4. Widely used in indoor or outdoor applications.



PLASTIC DROP WIRE CLAMP

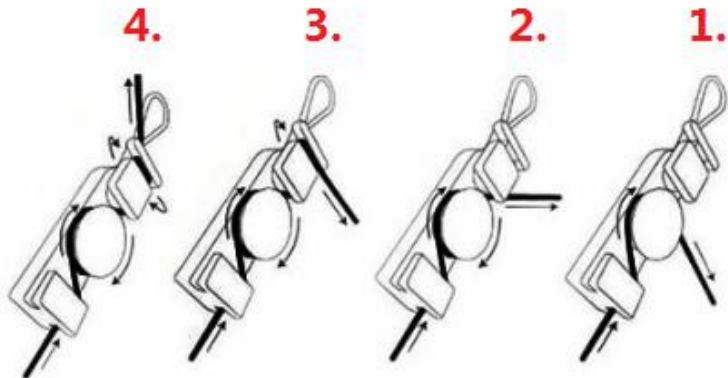
Parts No.	Material	Color
CWC-DWP	Plastic	Red, Green, Gray etc



Application :

S type fixed: used for binding messenger cable alignment are introduced ,and the pull of the cable on the supporting device .

Alloy material with wire used for binding messenger into cable suspension wire ,and pull cable hung on support device (stainless steel wire ,flame retardant ABS plastic parts)



SUPPORT WIRE DEADEND

USAGE

Parts No.	Material	QTY/CTN
CWC-SD	Steel	50PCS



Parts No.	Material	QTY/CTN
CWC-WW	Steel	50PCS



Parts No.	Material	QTY/CTN
CWC-WL	Steel	50PCS



Parts No.	Material	Ball Wire Material
CWC-CT	Aluminium Alloy	Stainless Steel



Parts No.	Material	Ball Wire Material
CWC-ASP	Plastic	Stainless Steel



Parts No.	Material	Color
CWC-CW	Steel	Silver



Parts No.	Material	Type
CWC-W	Steel	Wedge



USAGE

